



TRUClose®

REGULAR



# Adjustable, self-closing hinges for child and pool safety gates

**LIFETIME WARRANTY**



TCA1S3



TCA2S3



TCA3S3

## Regular: Self-closes gates up to 30kg

- D&D-patented tension adjustment
- Won't rust, bind, sag or stain
- Adjust tension from either end (adjustment always facing up)
- UV-stabilised, super-strong engineered polymer
- Internal stainless steel closing spring
- Decorative trim covers included - no visible fasteners
- Models with side-fixing legs available



**D&D Technologies**

World's most trusted gate hardware

TCA1S3

TCA2S3

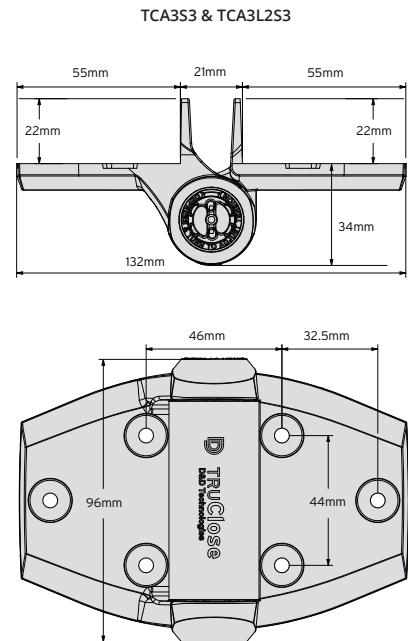
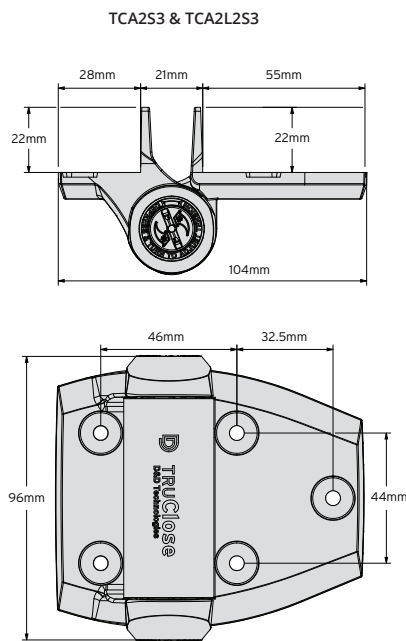
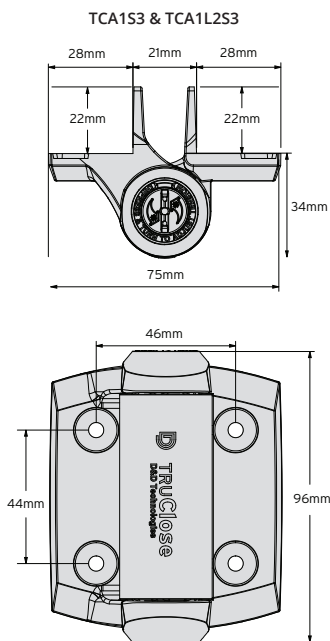
TCA3S3



## Product Dimensions

| CODE       | TRIM FINISH | GATE MATERIAL | SIDE LEGS | IDEAL GAP     | GAP VARIANCE | SOLD AS |
|------------|-------------|---------------|-----------|---------------|--------------|---------|
| TCA1S3BT   | Black       | Metal         | -         | 19mm          | 6-22mm       | 1 Pair  |
| TCA1S3CT   | Chrome      | Metal         | -         | 19mm          | 6-22mm       | 1 Pair  |
| TCA1S3ST   | Brushed     | Metal         | -         | 19mm          | 6-22mm       | 1 Pair  |
| TCA1L2S3BT | Black       | Metal         | 2 Legs    | Fixed at 19mm | -            | 1 Pair  |
| TCA1L2S3CT | Chrome      | Metal         | 2 Legs    | Fixed at 19mm | -            | 1 Pair  |
| TCA1L2S3ST | Brushed     | Metal         | 2 Legs    | Fixed at 19mm | -            | 1 Pair  |
| TCA2S3BT   | Black       | Metal/Wood    | -         | 19mm          | 6-22mm       | 1 Pair  |
| TCA2L2S3BT | Black       | Metal/Wood    | 2 Legs    | Fixed at 19mm | -            | 1 Pair  |
| TCA3S3BT   | Black       | Vinyl/Wood    | -         | 19mm          | 6-22mm       | 1 Pair  |
| TCA3L2S3BT | Black       | Vinyl/Wood    | 2 Legs    | Fixed at 19mm | -            | 1 Pair  |
| TCACAPS3   | Black       | Safety Cap    | -         | -             | -            | 1 Each  |

**Note: HINGES SHOWN BELOW ARE "LEGGED" MODELS, DEPICTED BY "L2" IN CODE**



[www.ddtechglobal.com](http://www.ddtechglobal.com)

Unit 6, 4-6 Aquatic Drive, Frenchs Forest NSW 2086  
Tel: (02) 9454 7888 Email: sales@ddtech.com.au